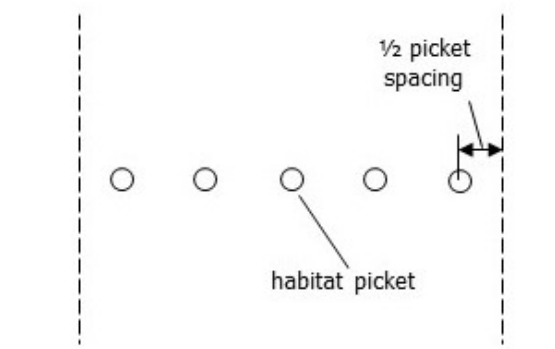


- ⊕ Habitat-Picket Set
- FS = full-spanning set
- HSLB = half-spanning set adjacent to left bank
- HSRB = half-spanning set adjacent to right bank
- Approximate Beaver Dam Locations as of 12/29/21
- Ordinary High Water Mark

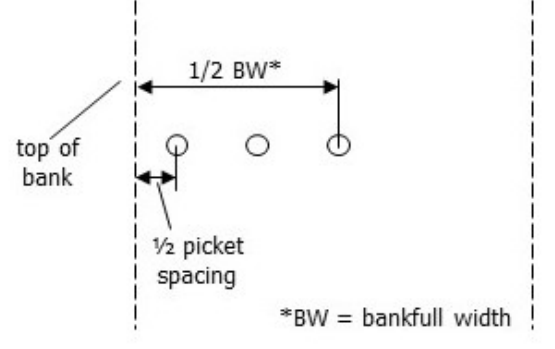
0 75 150 300 Feet



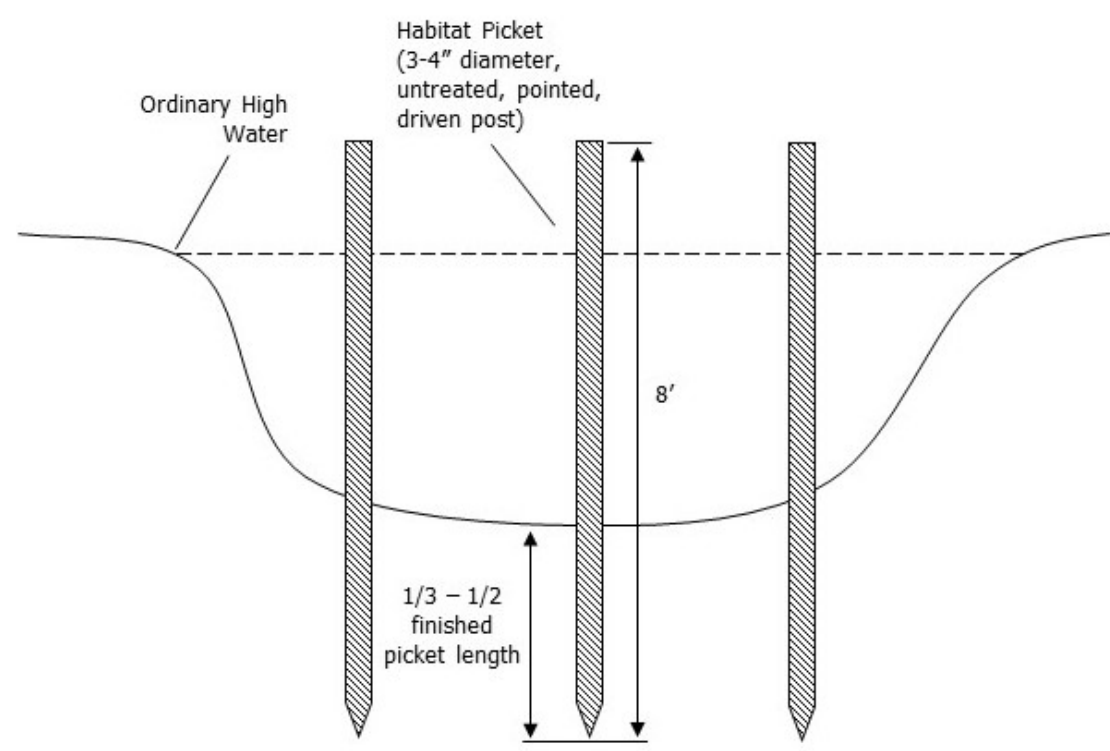
IMAGE Ortho2019KCNAT



Full-Spanning, Plan-View Detail
NTS



Half-Spanning, Plan-View Detail
NTS



Habitat-Picket, Cross-Section Detail
NTS

Notes:

- 1) Channel typically has a bankfull width 15-25' and depth of 3-5'.
- 2) The picket count at each location is based on the bankfull width and will be field fitted (see table).
- 3) Pickets should be equally spaced across the channel.
- 4) Pickets should not be placed closer than 16-inches on center.
- 5) Provide reed canarygrass bank treatment and weed barrier along the top of bank for reaches habitat pickets are installed.

Picket Schedule

Bankfull Width (ft)	Pickets	Full-Spanning Picket Spacing, On Center (in.)	Half-Spanning Picket Spacing, On Center (in.)
15	3	45	23
16	3	48	24
17	4	41	20
18	4	43	22
19	4	46	23
20	4	48	24
21	5	42	21
22	5	44	22
23	5	46	23
24	5	48	24
25	6	43	21
26	6	45	22
27	6	46	23
28	6	48	24
29	6	50	25
30	7	45	23